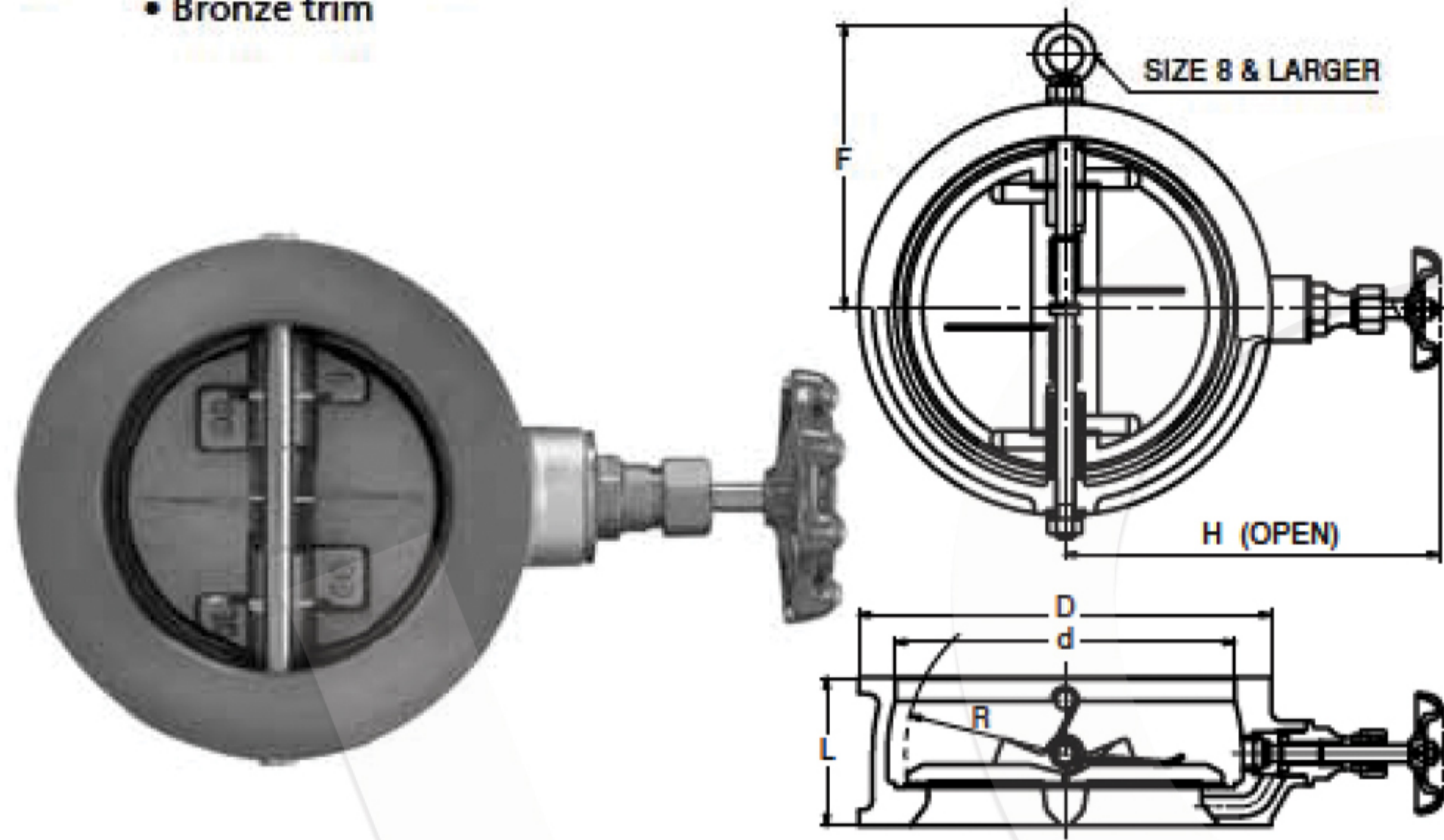


10K

IRON WAFER TYPE CHECK VALVE

Fig. 10FWZ

• Bronze trim



Materials

| Parts           | Material        | JIS Spec. |
|-----------------|-----------------|-----------|
| Body            | Cast Iron       | FC250+NBR |
| Pin             | Stainless Steel | SUS304    |
| Disc            | Bronze          | CAC406    |
| Nut 6 to 18     | Stainless Steel | SUS304    |
| Plug 1 1/2 to 5 | Carbon Steel    | S45CH     |

Bypass Valve

| Parts                        | Material      | JIS Spec. |
|------------------------------|---------------|-----------|
| Bonnet 1 1/2 to 5<br>6 to 18 | Brass         | C3771BE   |
|                              | Bronze        | CAC406    |
| Stem                         | Brass         | C3531     |
| Disc                         | Brass         | C3531     |
| Body seat ring               | Brass         | C3531     |
| Grand packing                | Asbestos-free |           |

Design Specifications

| Items                                         |                      |
|-----------------------------------------------|----------------------|
| Shell wall thickness and general valve design | KITZ Standard        |
| Face-to-face dimensions End-to-end dimensions | KITZ Standard        |
| End flange dimensions Gasket contact facing   | Wafer Type (JIS 10K) |

80°C Non-shock water 1.4MPa

80°C Water, oil, air 1.0MPa

Dimensions

| Valve Size      | B | 1 1/2 | 2   | 2 1/2 | 3   | 4   | 5   | 6   | 8   | 10  | 12  | 14  | 16  | 18  |
|-----------------|---|-------|-----|-------|-----|-----|-----|-----|-----|-----|-----|-----|-----|-----|
|                 | A |       |     |       |     |     |     |     |     |     |     |     |     |     |
| L               |   | 54    | 56  | 56    | 59  | 66  | 72  | 78  | 96  | 109 | 145 | 184 | 191 | 204 |
| H Height (OPEN) |   | 128   | 143 | 150   | 156 | 169 | 183 | 216 | 243 | 290 | 315 | 330 | 355 | 388 |
| F               |   | —     | —   | —     | —   | —   | —   | —   | 187 | 229 | 254 | 272 | 301 | 338 |
| D               |   | 86    | 101 | 121   | 131 | 156 | 187 | 217 | 267 | 330 | 375 | 420 | 483 | 538 |
| d               |   | 54    | 63  | 77    | 90  | 116 | 143 | 169 | 220 | 273 | 324 | 356 | 406 | 457 |
| R               |   | 26    | 33  | 37    | 44  | 55  | 67  | 78  | 105 | 129 | 155 | 170 | 195 | 220 |

mm